

DRUVA®TEC COMPRESSED GAS CYLINDER BUNDLE REGULATOR

BUNDLE REGULATOR | TEC LINE (BRASS) | 100 m³ SERIES | HIGH PRESSURE VERSION | SINGLE STAGE

H0 VERSION – HIGH PRESSURE REGULATOR WITH FKM SEAL

HE VERSION – HIGH PRESSURE REGULATOR WITH EPDM SEAL

CTMH05JR00 | CTMHESJR00 | No options at inlet- and outlet pressure side
 CTMH05JR0B | CTMHESJR0B | Ball valve at outlet pressure side

Pressure regulator connected to compressed gas cylinder bundles of decentralised supply systems for industrial, inert, flammable, oxidizing gases and gas mixtures directly on the construction site. Not suitable for corrosive and/or toxic gases and their mixtures.



Type: CTMH05JR000/CTMHESJR000
OPTION 00

- No shut-off valve at inlet pressure side
- No shut-off valve at outlet pressure side

SPECIAL 0

- No special



Type: CTMH05JR0B0 / CTMHESJR0B0
OPTION 0B

- No shut-off valve at inlet pressure side
- Ball valve at outlet pressure side

SPECIAL 0

- No special



Type: CTMH05JR00N / CTMHESJR00N
OPTION 00

- No shut-off valve at inlet pressure side
- No shut-off valve at outlet pressure side

SPECIAL N

- Flame arrester oxidizing gases at outlet pressure side



Type: CTMH05JR0BN / CTMHESJR0BN
OPTION 0B

- No shut-off valve at inlet pressure side
- Ball valve at outlet pressure side

SPECIAL N

- Flame arrester oxidizing gases at outlet pressure side

SPECIAL FEATURES

- > Metallic sealing of the pressure regulators to the atmosphere by Hastelloy diaphragms.
- > No increase of outlet pressure with decreasing inlet pressure due to the use of a pressure regulator with inlet pressure compensation
- > Very compact design

TECHNICAL FEATURES

- > Pressure regulator- Design and production in accordance with ISO 7291 including oxygen ignition test
- > Additional life cycle test in accordance with CGA E-4 4.6 for the pressure regulator
- > Electrostatic chargeability test
 - Fulfills requirements according to ISO 80079-36, IEC TS 60079-32-1 and German TRGS 727
 - Usable in EX- areas zones 1 and 2 for gases with explosion risk group I, IIA, IIB, IIC

TECHNICAL DATA – COMPRESSED GAS CYLINDER BUNDLE REGULATOR

Working temperature:	-40 °C to +60 °C
Inlet pressure:	60 200 300 bar
Outlet pressure:	10 20 50 bar (adjustable)
Nominal flow:	100 m ³ /h (N ₂) in accordance with ISO 7291 at 20 bar outlet pressure and 41 bar inlet pressure
Inlet/outlet ports:	see technical drawing
Leakage rate seat:	less than 50 cm ³ /h; (23° C; 1,013 bar absolute)
Leakage rate outside:	less than 6 cm ³ /h (23° C; 1,013 bar absolute)

TECHNICAL DATA – PRESSURE REGULATOR

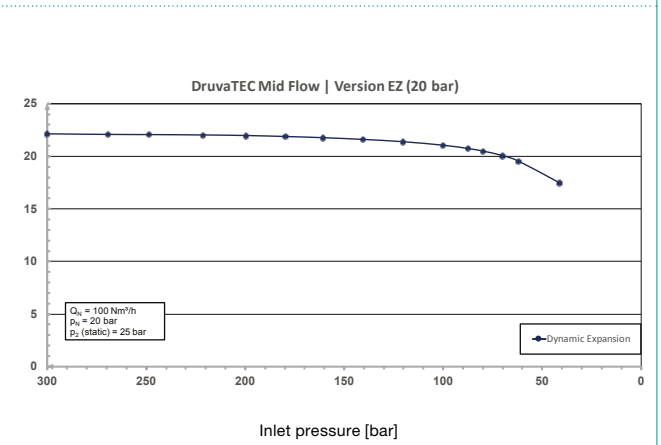
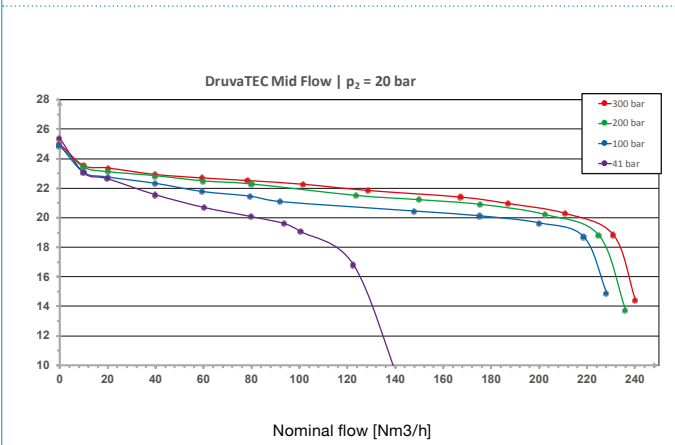
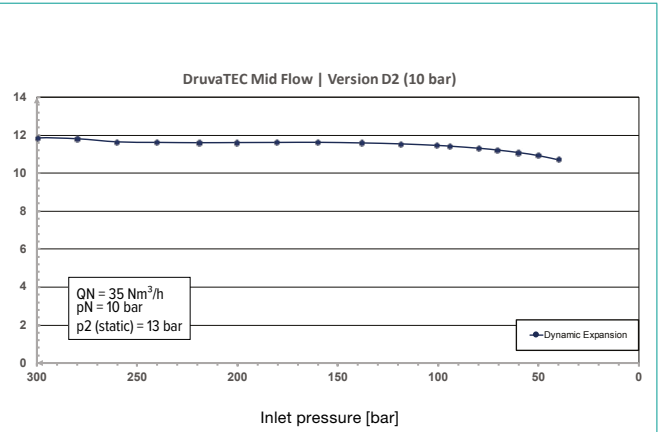
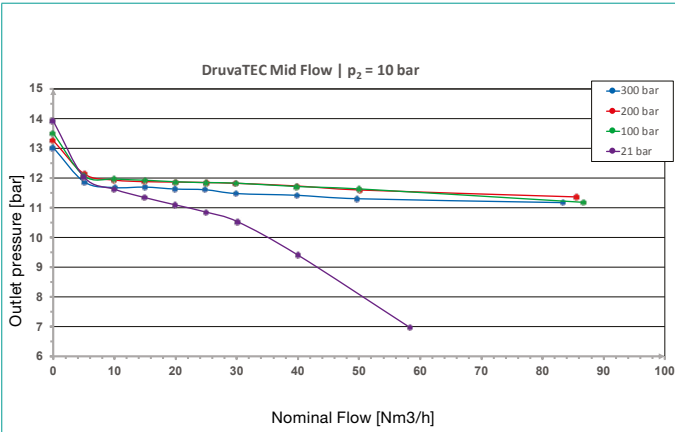
Filter:	1x Inlet
Material gas wetted parts	
Regulator body:	Brass
Regulator diaphragm:	Hastelloy
Regulator seal:	PVDF
Regulator seat:	PCTFE
Relief valve seal	
CTMH05J:	FKM
CTMHESJ:	EPDM
Regulator poppet:	Brass
Pressure compensation seal	
CTMH05J:	FKM
CTMHESJ:	EPDM
Pressure gauges rates (in brackets- pressure rates):	25 (10) 40 (20) 65 (50) 80 (60) 315 (200) 400 (300) bar
Cracking pressure relief valves (in brackets – outlet pressure stage):	15 (10) 30 (20) 70 (50) bar

TECHNICAL DATA – BALL VALVE

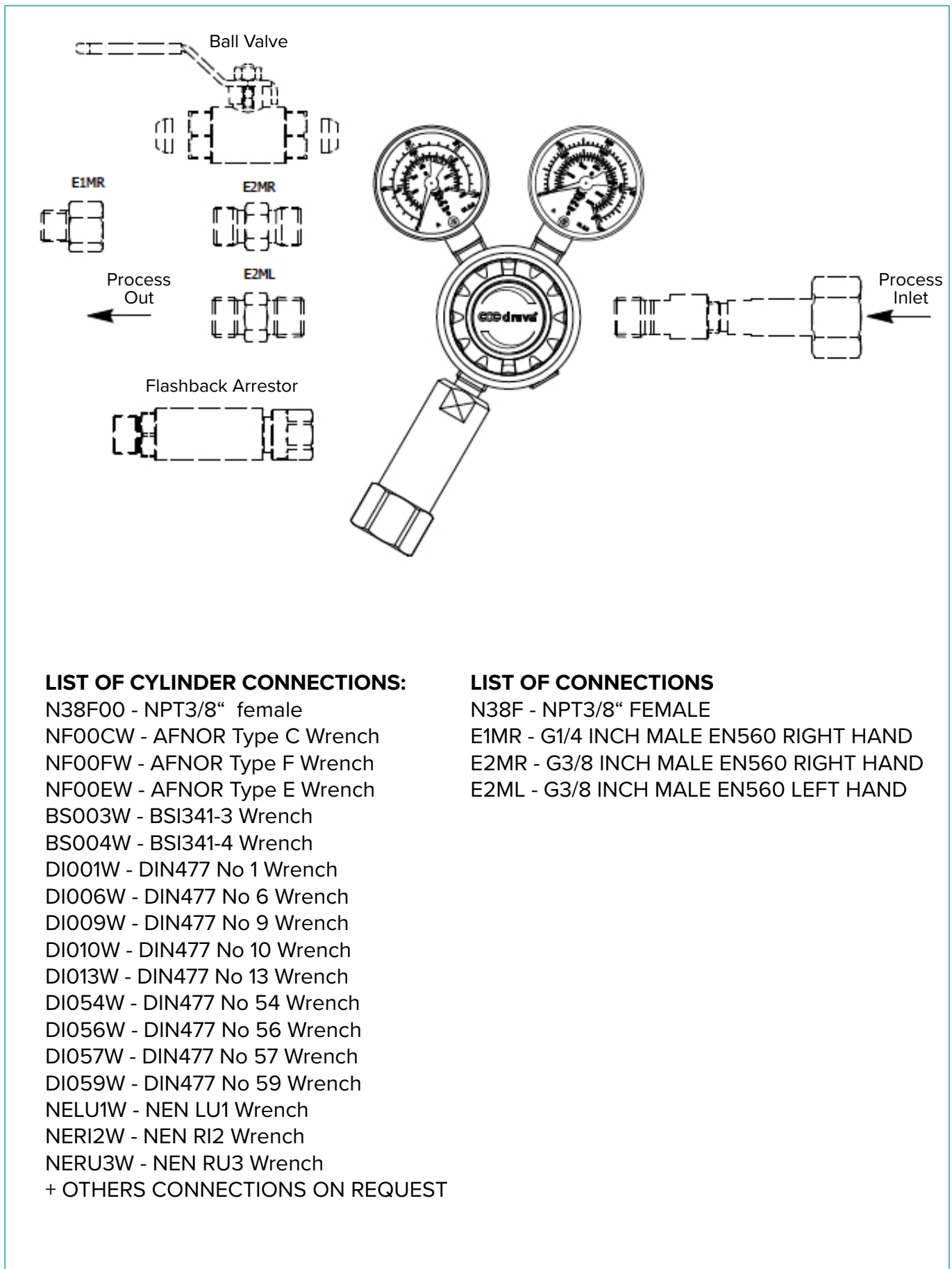
Max. working pressure:	20 bar
Material gas wetted parts	
Body:	Brass nickel plated
Ball:	Brass hard chrome plated
Ball seal:	PTFE
Gearshaft seal:	FKM / EPDM
Nominal size (free passage):	13 mm

FLOW CURVES

DYNAMIC EXPANSION CURVES



TECHNICAL DRAWING – CTMH0SJ00 | CTMHESJR00 – DIMENSIONS AND VARIANTS



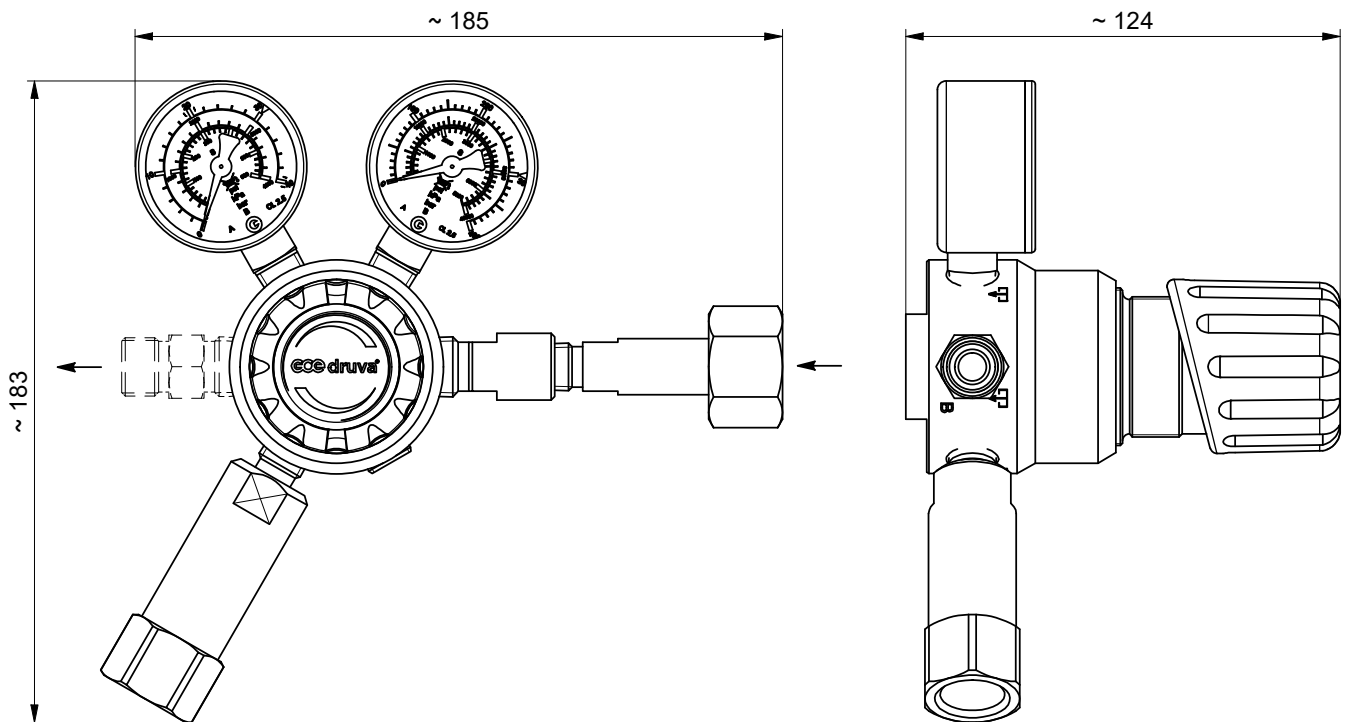
LIST OF CYLINDER CONNECTIONS:

- N38F00 - NPT3/8" female
- NF00CW - AFNOR Type C Wrench
- NF00FW - AFNOR Type F Wrench
- NF00EW - AFNOR Type E Wrench
- BS003W - BSI341-3 Wrench
- BS004W - BSI341-4 Wrench
- DI001W - DIN477 No 1 Wrench
- DI006W - DIN477 No 6 Wrench
- DI009W - DIN477 No 9 Wrench
- DI010W - DIN477 No 10 Wrench
- DI013W - DIN477 No 13 Wrench
- DI054W - DIN477 No 54 Wrench
- DI056W - DIN477 No 56 Wrench
- DI057W - DIN477 No 57 Wrench
- DI059W - DIN477 No 59 Wrench
- NELU1W - NEN LU1 Wrench
- NERI2W - NEN RI2 Wrench
- NERU3W - NEN RU3 Wrench
- + OTHERS CONNECTIONS ON REQUEST

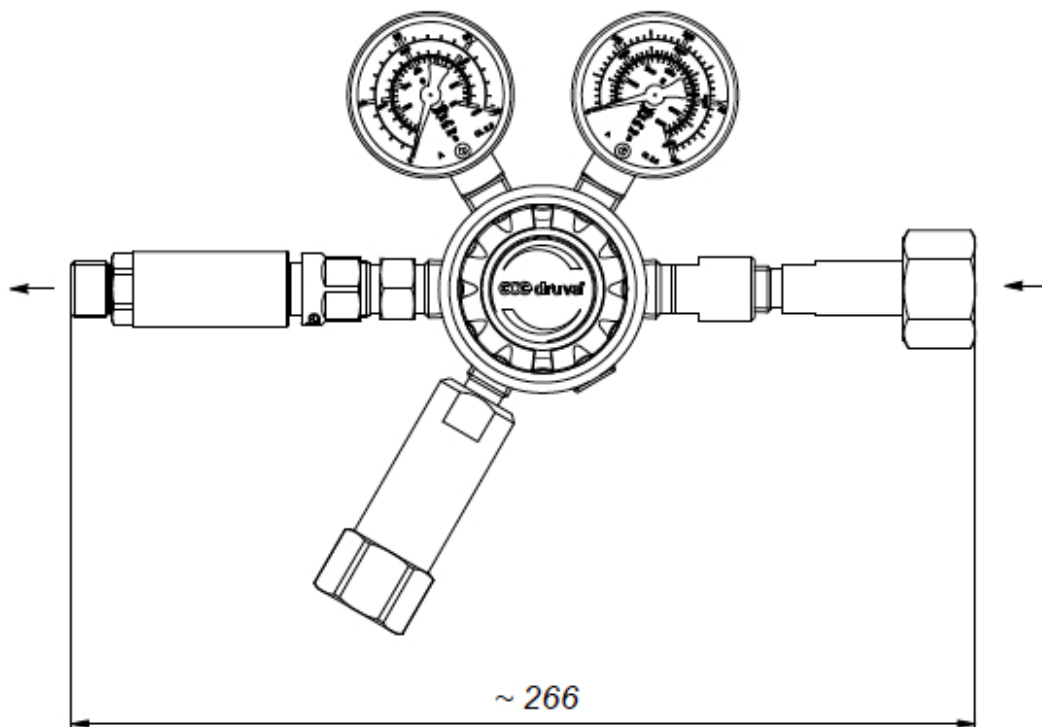
LIST OF CONNECTIONS

- N38F - NPT3/8" FEMALE
- E1MR - G1/4 INCH MALE EN560 RIGHT HAND
- E2MR - G3/8 INCH MALE EN560 RIGHT HAND
- E2ML - G3/8 INCH MALE EN560 LEFT HAND

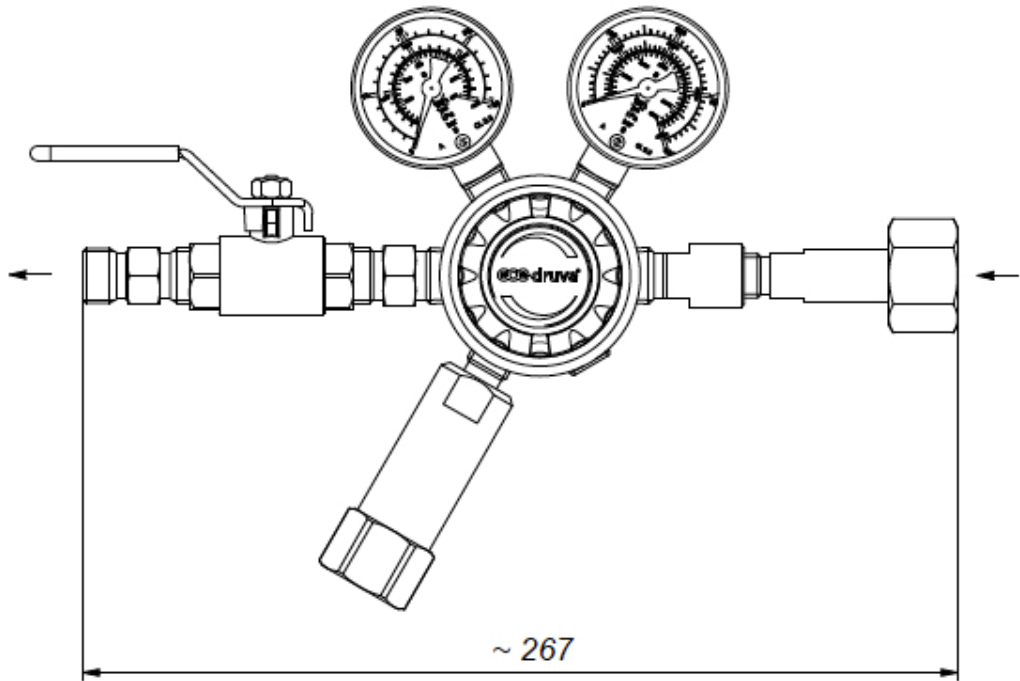
**OPTION - 00
SPECIAL - 0**



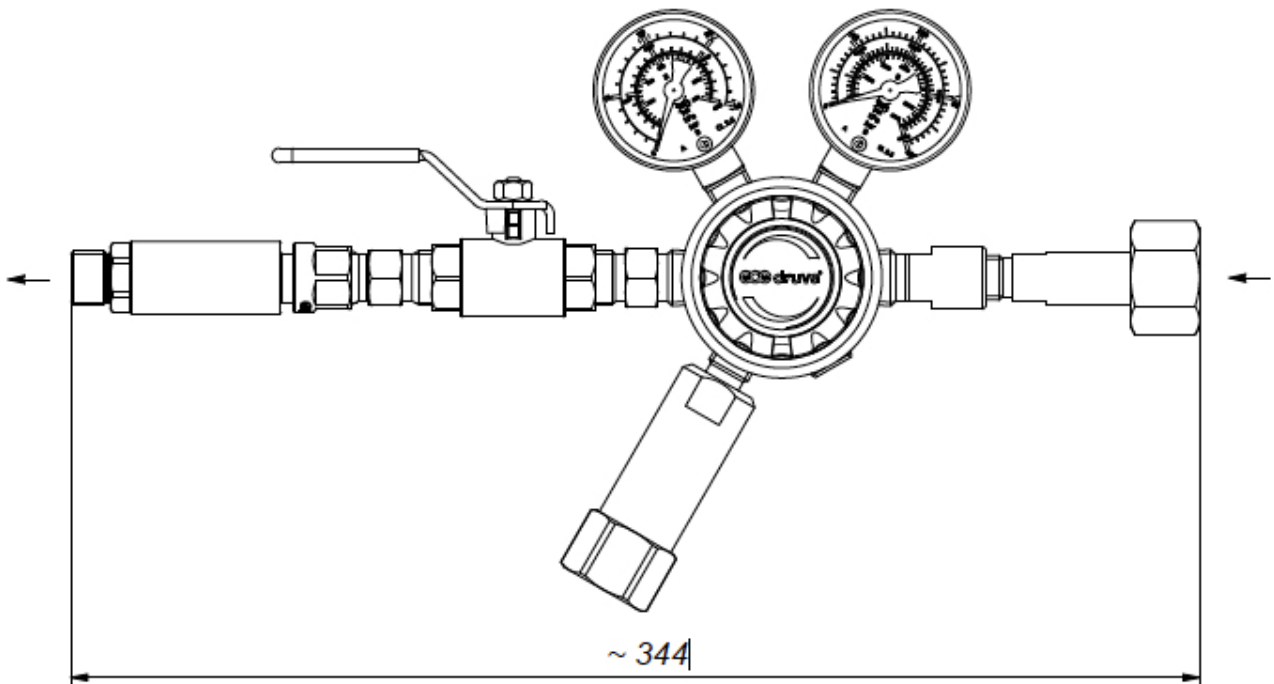
**OPTION - 00
SPECIAL - N or F**



**OPTION - 0B
SPECIAL - 0**



**OPTION - 0B
SPECIAL - N or F**



ORDERING INFORMATION – CTMH0SJ | CTMHESJ

Example for a cylinder bundle regulator | TEC Line | Brass | Mid Flow (100m³) Series | Single Stage

CTMH0SJR	00	F	FX	EZ	BT	BT	N38F00	N38F
CTMHESJR	Options	Specials	Inlet pressure	Outlet pressure	Inlet gauge type	Outlet gauge	Cylinder connection type	Process outlet connection
	00 HP * Without & LP ** Without	0 Without	F4 60 bar	D2 10 bar	BT Bourdon tube gauge	BT Bourdon tube gauge	N38F00 NPT 3/8 inch female	N38F NPT 3/8 inch female
	0B OB HP * Without & LP ** Ball valve	F Safety device flammables	FX 200 bar	EZ 20 bar			NF00CW AFNOR Type C Wrench	E1MR G 1/4 inch male EN 560 right hand
		N Safety device Oxy/Air	GX 300 bar	EX 50 bar			NF00EW AFNOR Type E Wrench	E2MR G 3/8 inch male EN 560 right hand
							NF00FW AFNOR Type F Wrench	E2ML G 3/8 inch male EN 560 left hand
							BS003W BS1341-3 Wrench	
							BS004W BS1341-4 Wrench	
							DI001W DIN477 No 1 Wrench	
							DI006W DIN477 No 6 Wrench	
							DI009W DIN477 No 9 Wrench	
							DI010W DIN477 No 10 Wrench	
							DI013W DIN477 No 13 Wrench	
							DI054W DIN477 No 54 Wrench	
							DI056W DIN477 No 56 Wrench	
							DI057W DIN477 No 57 Wrench	
							DI059W DIN477 No 59 Wrench	
							NELU1W NEN LU1 Wrench	
							NERI2W NEN RI2 Wrench	
							NERU3W NEN RU3 Wrench	

* HP = High pressure

** LP = Low pressure

Order code (as described above) without special characters or spaces! Complete Order Code **CTMH0SJR00FFXEZBTBTN38F00N38F**

