



Lab Master LGD5040 Series

5.0 Purity Two Stage Nickel Plated Brass Barstock Diaphragm
Differential Autochange Gas Control Panel



The Lab Master LGD5040 Series two stage differential autochange control panels are designed for primary pressure gas control of non-corrosive or toxic, high purity gases up to grade 5.0 purity (99.999%), on gas distribution systems where constant delivery pressure is required.

- **LGD5041** Series | Two Stage Twin Cylinder Diaphragm Differential Autochange Gas Control Panel, FKM Seal, FKM Pressure Relief Valve
- **LGD5042** Series | Two Stage Twin Cylinder Diaphragm Differential Autochange Gas Control Panel, EPDM Seal, EPDM Pressure Relief Valve

★ FEATURES

- High pressure isolation valves
- High pressure purge facility
- Two stage pressure regulation
- Process line isolation valve
- Encapsulated valve design
- Twin cylinder configuration

📄 MATERIAL

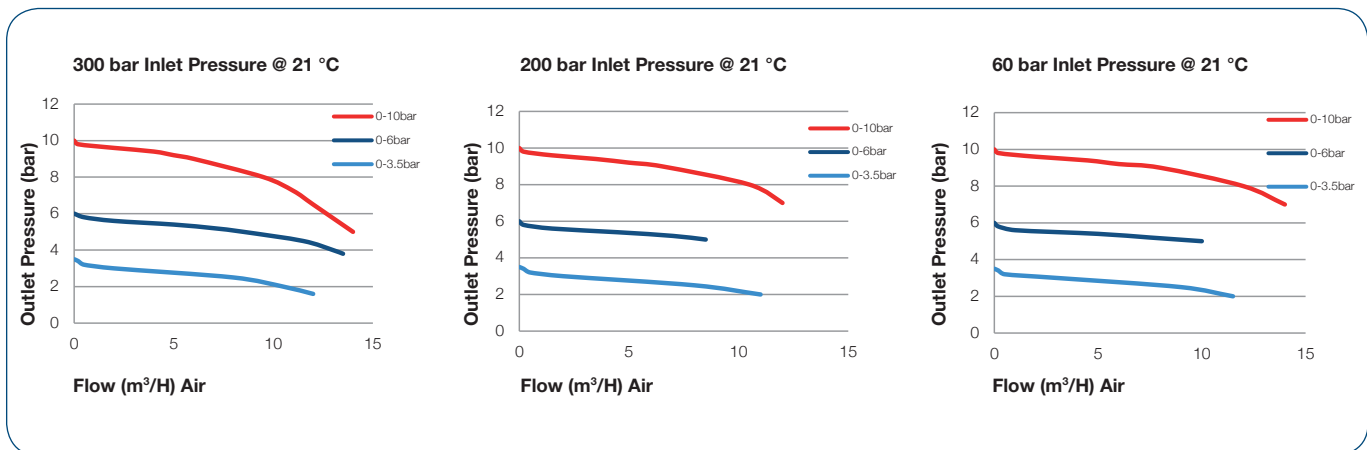
- **Body** Nickel Plated Brass Barstock
- **Bonnet Outlet Regulator** High Strength Alloy
- **Bonnet Pre-Set Regulator** Brass
- **Bonnet Seal** PTFE
- **Diaphragm** 316L Stainless Steel
- **Seal Option** FKM / EPDM
- **Valve Seat** Polyamide (Nylon®)
- **Filter** 10 Micron 316L Stainless Steel

👍 SPECIFICATION

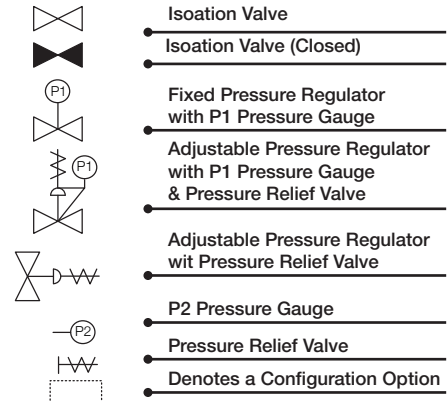
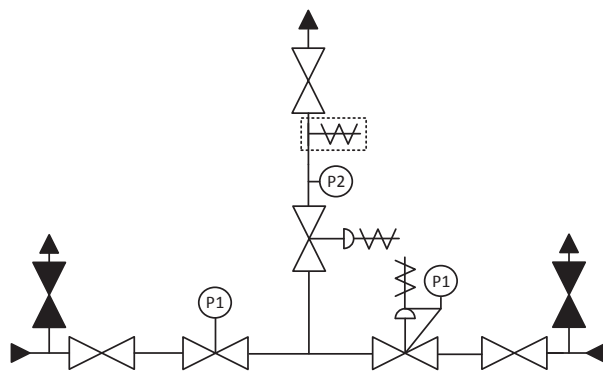
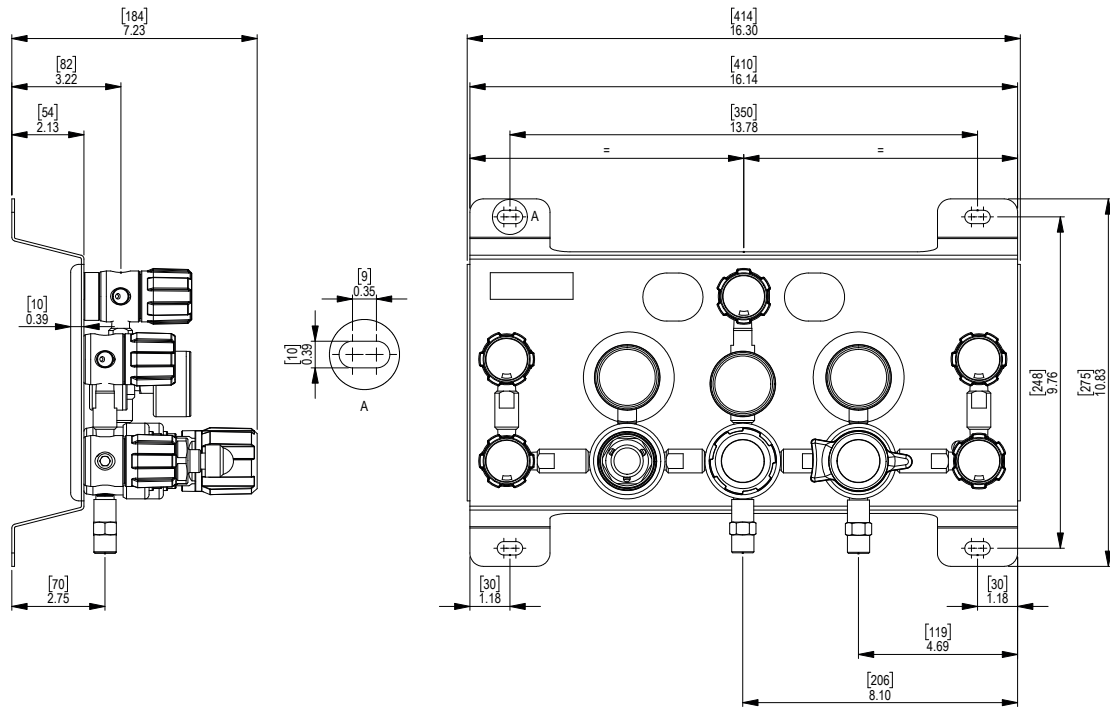
- **Maximum Inlet Pressure** 15 bar (220 PSI)
60 bar (870 PSI)
300 bar (4350 PSI) *
- **Delivery Pressure Range** 3.5 bar (50PSI)
6.0 bar (90PSI)
10 bar (150 PSI)
- **Gauges** 50mm (2") Diameter
- **Ports** 1/4" NPT Female
- **Temperature Range** -20° C to +60° C (-4° F to +140° F)
- **Weight** 8.0 kg (17.46 lbs) ****

* Subject to cylinder connection – **** Subject to final configuration

✓ FLOW PERFORMANCE



DRAWINGS



MODEL NO. SELECTOR GUIDE

Example for a Model No. for LGD5040 Series

LGD5041- 02- 03- 00- 00- 000- 00- A

Product Type	Inlet Pressure Bar [PSI]	Outlet Pressure Bar [PSI]	Inlet Pressure Gauge	Outlet Pressure Gauge	Inlet/Cylinder Connection	Outlet Connection	Options
LGD5041	02 60 [870]	03 0 to 3.5 [50]	00 No Gauge Fitted	00 No Gauge Fitted	000 1/4 NPT Female	00 1/4 NPT Female	A No Options Selected
LGD5042	04 300 [4350]	04 0 to 6 [90]	01 bar/PSI	01 bar/PSI	001 1/8 Stainless Steel Compression	01 1/8 Stainless Steel Compression	K Certificate of Conformity
	06 15 [220]	05 0 to 10 [150]	02 bar/PSI Contact Gauge		002 1/4 Stainless Steel Compression	02 1/4 Stainless Steel Compression	M CO2 Burst Disc
					003 6mm Stainless Steel Compression	03 6mm Stainless Steel Compression	P Calibration/ Pressure Test Certificate
					004 1/4 NPT Male	04 1/4 NPT Male	R Fitted Pipeline Pressure Relief Valve
					007 G3/8 BSP R/H Brass Male	06 G1/2 BSP R/H, Brass, Male	X Special Instruction
					008 G3/8 BSP L/H Brass Male	07 G3/8 BSP R/H, Brass, Male	
						08 G3/8 BSP L/H, Brass, Male	